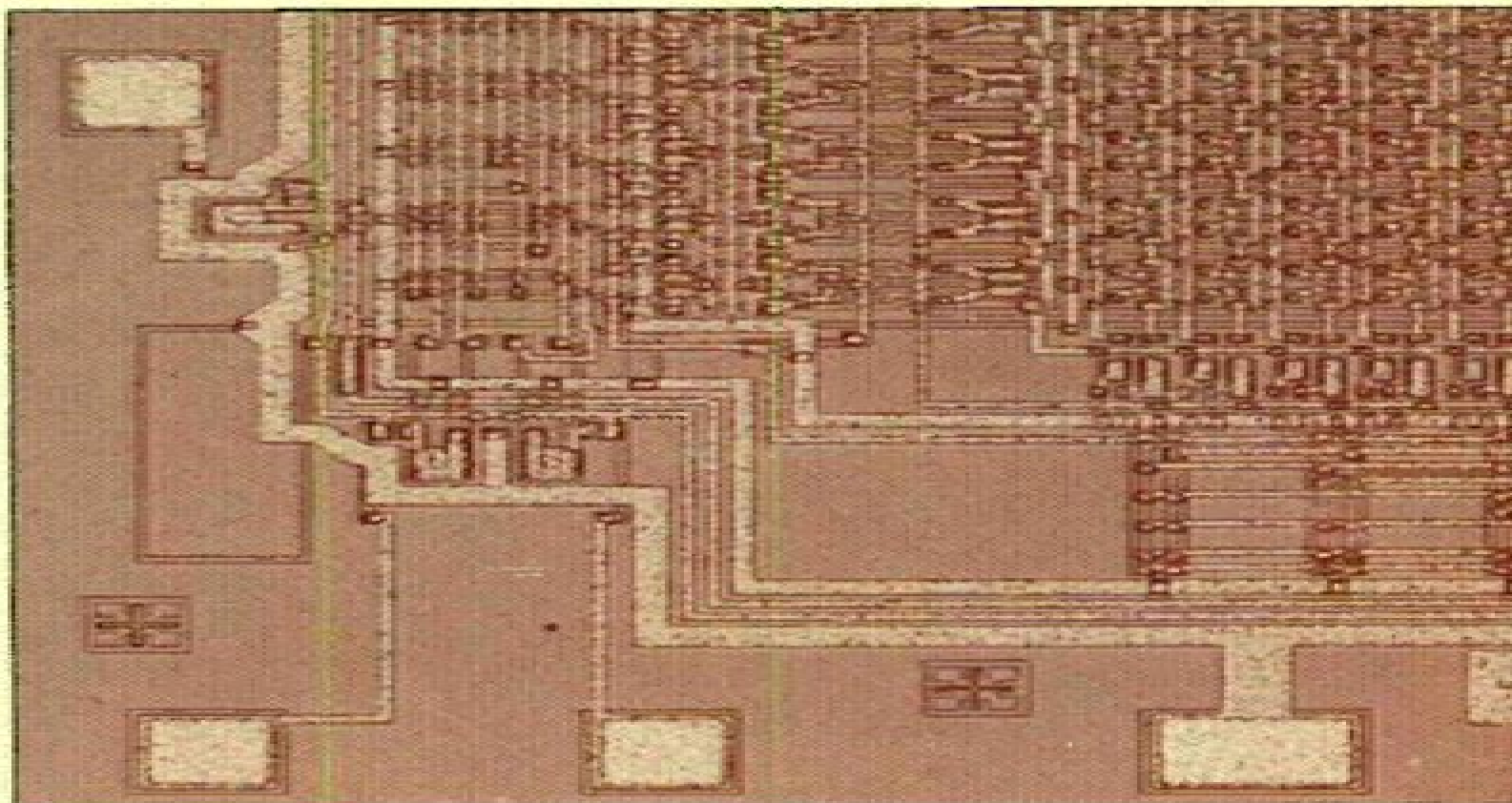




**MOTOROLA**

Series in Solid-State Electronics



# **Basic Integrated Circuit Engineering**

**Douglas J. Hamilton / William G. Howard**

# Basic Integrated Circuit Engineering

**Peipei Pang**



## **Basic Integrated Circuit Engineering:**

**Basic Integrated Circuit Engineering** Douglas J. Hamilton, William G. Howard, 1975 Solutions manual to accompany Basic integrated circuit engineering By Douglas J Hamilton and William G Howard N Y McGraw Hill 1976 280p **Basic Integrated Circuit Engineering** Hamilton & Howard, 1986 *Integrated circuit engineering: basic technology* Phoenix Integrated Circuit Engineering Corporation (Ariz), 1966 *Integrated Circuit Engineering* Integrated Circuit Engineering Corporation, Integrated Circuit Engineering Corporation, Phoenix, Ariz, Glen R. Madland, 1966 *Integrated Circuit Engineering; Basic Technology by Glen R. Madland [and Others]*. Integrated Circuit Engineering Corp., Phoenix, Ariz, Introduction to Integrated Circuit Engineering D. K. Reinhard, 1987 Integrated Circuit Engineering Integrated Circuit Engineering Corporation, 1975 Radio-Frequency Integrated-Circuit Engineering Cam Nguyen, 2015-03-04 Radio Frequency Integrated Circuit Engineering addresses the theory analysis and design of passive and active RFIC s using Si based CMOS and Bi CMOS technologies and other non silicon based technologies The materials covered are self contained and presented in such detail that allows readers with only undergraduate electrical engineering knowledge in EM RF and circuits to understand and design RFICs Organized into sixteen chapters blending analog and microwave engineering Radio Frequency Integrated Circuit Engineering emphasizes the microwave engineering approach for RFICs Provides essential knowledge in EM and microwave engineering passive and active RFICs RFIC analysis and design techniques and RF systems vital for RFIC students and engineers Blends analog and microwave engineering approaches for RFIC design at high frequencies Includes problems at the end of each chapter **Integrated Circuits** R. G. Hibberd, 1969 **ESD** Steven H. Voldman, 2015-01-05 A comprehensive and in depth review of analog circuit layout schematic architecture device power network and ESD design This book will provide a balanced overview of analog circuit design layout analog circuit schematic development architecture of chips and ESD design It will start at an introductory level and will bring the reader right up to the state of the art Two critical design aspects for analog and power integrated circuits are combined The first design aspect covers analog circuit design techniques to achieve the desired circuit performance The second and main aspect presents the additional challenges associated with the design of adequate and effective ESD protection elements and schemes A comprehensive list of practical application examples is used to demonstrate the successful combination of both techniques and any potential design trade offs Chapter One looks at analog design discipline including layout and analog matching and analog layout design practices Chapter Two discusses analog design with circuits examining single transistor amplifiers multi transistor amplifiers active loads and more The third chapter covers analog design layout also MOSFET layout before Chapters Four and Five discuss analog design synthesis The next chapters introduce the reader to analog digital mixed signal design synthesis analog signal pin ESD networks and analog ESD power clamps Chapter Nine the last chapter covers ESD design in analog applications Clearly describes analog design fundamentals circuit fundamentals as well as outlining the

various ESD implications Covers a large breadth of subjects and technologies such as CMOS LDMOS BCD SOI and thick body SOI Establishes an ESD analog design discipline that distinguishes itself from the alternative ESD digital design focus Focuses on circuit and circuit design applications Assessible with the artwork and tutorial style of the ESD book series PowerPoint slides are available for university faculty members Even in the world of digital circuits analog and power circuits are two very important but under addressed topics especially from the ESD aspect Dr Voldman s new book will serve as an essential and practical guide to the greater IC community With high practical and academic values this book is a bible for professionals graduate students device and circuit designers for investigating the physics of ESD and for product designs and testing

Embark on a breathtaking journey through nature and adventure with Crafted by is mesmerizing ebook, **Basic Integrated Circuit Engineering** . This immersive experience, available for download in a PDF format ( Download in PDF: \*), transports you to the heart of natural marvels and thrilling escapades. Download now and let the adventure begin!

[https://dashboard.colourpop.com/public/publication/default.aspx/carbon\\_footprint\\_checklist.pdf](https://dashboard.colourpop.com/public/publication/default.aspx/carbon_footprint_checklist.pdf)

## **Table of Contents Basic Integrated Circuit Engineering**

1. Understanding the eBook Basic Integrated Circuit Engineering
  - The Rise of Digital Reading Basic Integrated Circuit Engineering
  - Advantages of eBooks Over Traditional Books
2. Identifying Basic Integrated Circuit Engineering
  - Exploring Different Genres
  - Considering Fiction vs. Non-Fiction
  - Determining Your Reading Goals
3. Choosing the Right eBook Platform
  - Popular eBook Platforms
  - Features to Look for in an Basic Integrated Circuit Engineering
  - User-Friendly Interface
4. Exploring eBook Recommendations from Basic Integrated Circuit Engineering
  - Personalized Recommendations
  - Basic Integrated Circuit Engineering User Reviews and Ratings
  - Basic Integrated Circuit Engineering and Bestseller Lists
5. Accessing Basic Integrated Circuit Engineering Free and Paid eBooks
  - Basic Integrated Circuit Engineering Public Domain eBooks
  - Basic Integrated Circuit Engineering eBook Subscription Services
  - Basic Integrated Circuit Engineering Budget-Friendly Options
6. Navigating Basic Integrated Circuit Engineering eBook Formats

- ePub, PDF, MOBI, and More
  - Basic Integrated Circuit Engineering Compatibility with Devices
  - Basic Integrated Circuit Engineering Enhanced eBook Features
7. Enhancing Your Reading Experience
    - Adjustable Fonts and Text Sizes of Basic Integrated Circuit Engineering
    - Highlighting and Note-Taking Basic Integrated Circuit Engineering
    - Interactive Elements Basic Integrated Circuit Engineering
  8. Staying Engaged with Basic Integrated Circuit Engineering
    - Joining Online Reading Communities
    - Participating in Virtual Book Clubs
    - Following Authors and Publishers Basic Integrated Circuit Engineering
  9. Balancing eBooks and Physical Books Basic Integrated Circuit Engineering
    - Benefits of a Digital Library
    - Creating a Diverse Reading Collection Basic Integrated Circuit Engineering
  10. Overcoming Reading Challenges
    - Dealing with Digital Eye Strain
    - Minimizing Distractions
    - Managing Screen Time
  11. Cultivating a Reading Routine Basic Integrated Circuit Engineering
    - Setting Reading Goals Basic Integrated Circuit Engineering
    - Carving Out Dedicated Reading Time
  12. Sourcing Reliable Information of Basic Integrated Circuit Engineering
    - Fact-Checking eBook Content of Basic Integrated Circuit Engineering
    - Distinguishing Credible Sources
  13. Promoting Lifelong Learning
    - Utilizing eBooks for Skill Development
    - Exploring Educational eBooks
  14. Embracing eBook Trends
    - Integration of Multimedia Elements
    - Interactive and Gamified eBooks

### Basic Integrated Circuit Engineering Introduction

Free PDF Books and Manuals for Download: Unlocking Knowledge at Your Fingertips In today's fast-paced digital age, obtaining valuable knowledge has become easier than ever. Thanks to the internet, a vast array of books and manuals are now available for free download in PDF format. Whether you are a student, professional, or simply an avid reader, this treasure trove of downloadable resources offers a wealth of information, conveniently accessible anytime, anywhere. The advent of online libraries and platforms dedicated to sharing knowledge has revolutionized the way we consume information. No longer confined to physical libraries or bookstores, readers can now access an extensive collection of digital books and manuals with just a few clicks. These resources, available in PDF, Microsoft Word, and PowerPoint formats, cater to a wide range of interests, including literature, technology, science, history, and much more. One notable platform where you can explore and download free Basic Integrated Circuit Engineering PDF books and manuals is the internet's largest free library. Hosted online, this catalog compiles a vast assortment of documents, making it a veritable goldmine of knowledge. With its easy-to-use website interface and customizable PDF generator, this platform offers a user-friendly experience, allowing individuals to effortlessly navigate and access the information they seek. The availability of free PDF books and manuals on this platform demonstrates its commitment to democratizing education and empowering individuals with the tools needed to succeed in their chosen fields. It allows anyone, regardless of their background or financial limitations, to expand their horizons and gain insights from experts in various disciplines. One of the most significant advantages of downloading PDF books and manuals lies in their portability. Unlike physical copies, digital books can be stored and carried on a single device, such as a tablet or smartphone, saving valuable space and weight. This convenience makes it possible for readers to have their entire library at their fingertips, whether they are commuting, traveling, or simply enjoying a lazy afternoon at home. Additionally, digital files are easily searchable, enabling readers to locate specific information within seconds. With a few keystrokes, users can search for keywords, topics, or phrases, making research and finding relevant information a breeze. This efficiency saves time and effort, streamlining the learning process and allowing individuals to focus on extracting the information they need. Furthermore, the availability of free PDF books and manuals fosters a culture of continuous learning. By removing financial barriers, more people can access educational resources and pursue lifelong learning, contributing to personal growth and professional development. This democratization of knowledge promotes intellectual curiosity and empowers individuals to become lifelong learners, promoting progress and innovation in various fields. It is worth noting that while accessing free Basic Integrated Circuit Engineering PDF books and manuals is convenient and cost-effective, it is vital to respect copyright laws and intellectual property rights. Platforms offering free downloads often operate within legal boundaries, ensuring that the materials they provide are either in the public domain or authorized for distribution. By adhering to copyright laws, users can enjoy the benefits of free access to knowledge while supporting the authors and

publishers who make these resources available. In conclusion, the availability of Basic Integrated Circuit Engineering free PDF books and manuals for download has revolutionized the way we access and consume knowledge. With just a few clicks, individuals can explore a vast collection of resources across different disciplines, all free of charge. This accessibility empowers individuals to become lifelong learners, contributing to personal growth, professional development, and the advancement of society as a whole. So why not unlock a world of knowledge today? Start exploring the vast sea of free PDF books and manuals waiting to be discovered right at your fingertips.

### **FAQs About Basic Integrated Circuit Engineering Books**

How do I know which eBook platform is the best for me? Finding the best eBook platform depends on your reading preferences and device compatibility. Research different platforms, read user reviews, and explore their features before making a choice. Are free eBooks of good quality? Yes, many reputable platforms offer high-quality free eBooks, including classics and public domain works. However, make sure to verify the source to ensure the eBook credibility. Can I read eBooks without an eReader? Absolutely! Most eBook platforms offer webbased readers or mobile apps that allow you to read eBooks on your computer, tablet, or smartphone. How do I avoid digital eye strain while reading eBooks? To prevent digital eye strain, take regular breaks, adjust the font size and background color, and ensure proper lighting while reading eBooks. What the advantage of interactive eBooks? Interactive eBooks incorporate multimedia elements, quizzes, and activities, enhancing the reader engagement and providing a more immersive learning experience. Basic Integrated Circuit Engineering is one of the best book in our library for free trial. We provide copy of Basic Integrated Circuit Engineering in digital format, so the resources that you find are reliable. There are also many Ebooks of related with Basic Integrated Circuit Engineering. Where to download Basic Integrated Circuit Engineering online for free? Are you looking for Basic Integrated Circuit Engineering PDF? This is definitely going to save you time and cash in something you should think about. If you trying to find then search around for online. Without a doubt there are numerous these available and many of them have the freedom. However without doubt you receive whatever you purchase. An alternate way to get ideas is always to check another Basic Integrated Circuit Engineering. This method for see exactly what may be included and adopt these ideas to your book. This site will almost certainly help you save time and effort, money and stress. If you are looking for free books then you really should consider finding to assist you try this. Several of Basic Integrated Circuit Engineering are for sale to free while some are payable. If you arent sure if the books you would like to download works with for usage along with your computer, it is possible to download free trials. The free guides make it easy for someone to free access online library for download books to your device. You can get free download on free trial for lots of books categories. Our library is the biggest



of these that have literally hundreds of thousands of different products categories represented. You will also see that there are specific sites catered to different product types or categories, brands or niches related with Basic Integrated Circuit Engineering. So depending on what exactly you are searching, you will be able to choose e books to suit your own need. Need to access completely for Campbell Biology Seventh Edition book? Access Ebook without any digging. And by having access to our ebook online or by storing it on your computer, you have convenient answers with Basic Integrated Circuit Engineering To get started finding Basic Integrated Circuit Engineering, you are right to find our website which has a comprehensive collection of books online. Our library is the biggest of these that have literally hundreds of thousands of different products represented. You will also see that there are specific sites catered to different categories or niches related with Basic Integrated Circuit Engineering So depending on what exactly you are searching, you will be able to choose ebook to suit your own need. Thank you for reading Basic Integrated Circuit Engineering. Maybe you have knowledge that, people have search numerous times for their favorite readings like this Basic Integrated Circuit Engineering, but end up in harmful downloads. Rather than reading a good book with a cup of coffee in the afternoon, instead they juggled with some harmful bugs inside their laptop. Basic Integrated Circuit Engineering is available in our book collection an online access to it is set as public so you can download it instantly. Our digital library spans in multiple locations, allowing you to get the most less latency time to download any of our books like this one. Merely said, Basic Integrated Circuit Engineering is universally compatible with any devices to read.

### **Find Basic Integrated Circuit Engineering :**

**carbon footprint checklist**

[zero waste lifestyle checklist](#)

[advanced ethical shopping](#)

[guide eco friendly products](#)

[minimalist living tips](#)

**conscious consumerism best**

[green building manual](#)

**solar panels advanced**

[green building toolkit](#)

[green building tutorial](#)

**eco friendly products checklist**

**carbon footprint tips**

**advanced minimalist living**

circular economy guide

planner-conscious-consumerism

**Basic Integrated Circuit Engineering :**

**cahier du jour cahier du soir maths ce1 7 8 ans t copy** - Apr 22 2022

web cahier du jour cahier du soir maths ce1 7 8 ans t 1 cahier du jour cahier du soir maths ce1 7 8 ans t la france d apres les cahiers de 1789 français 6e les cahiers

*cahier du jour cahier du soir maths ce1 jour soir cahiers* - Jun 05 2023

web un cahier central détachable avec tous les corrigés une rubrique d auto évaluation pour chaque leçon le mémento visuel un mémento avec l essentiel à retenir en maths

**cahiers du jour soir mathématiques ce1 cultura** - Feb 01 2023

web cahier du jour cahier du soir maths ce2 8 9 ans tout le programme tous les exercices les corrigés détachables broché 30 juin 2003 de bernard séménadis

*cahier du jour cahier du soir maths ce1 7 8 ans t dotnbm* - Feb 18 2022

web oct 8 2023 cahier du jour cahier du soir maths ce1 7 8 ans t 1 5 downloaded from uniport edu ng on october 8 2023 by guest cahier du jour cahier du soir maths ce1

*français ce1 cahier du jour cahier du soir 7 8 ans pdf* - Jun 24 2022

web recognizing the quirk ways to get this ebook cahier du jour cahier du soir maths ce1 7 8 ans t is additionally useful you have remained in right site to start getting this info

**cahier du jour cahier du soir français ce1 7 8 ans tout le** - Oct 29 2022

web 2 cahier du jour cahier du soir maths ce1 7 8 ans t 2021 05 25 cm1 leçons méthodes et exercices nouveau cahier du jour cahier du soir j apprends à lire en

*ce1 cahier jour soir magnard* - Oct 09 2023

web concentration le cahier permet la révision et l ancrage des notions motivation les ressources numériques diversifient l apprentissage la collection jour soir conjugaison

*cahier du jour cahier du soir collections indispensables en* - Mar 02 2023

web jan 2 2023 tout supprimer conçu et recommandé par les enseignants maths ce1 cahier jour soir bernard séménadis michel wormser magnard des milliers de

accueil cahier jour soir magnard - Sep 08 2023

web cahier du jour cahier du soir maths ce1 7 8 ans tout le programme tous les exercices les corrigés détachables  
séménadisse bernard amazon fr livres livres

**cahier du jour cahier du soir maths ce1 7 8 ans amazon fr** - Aug 07 2023

web la fnac vous propose 61 références cahiers de vacances cahier du jour cahier du soir avec la livraison chez vous en 1 jour  
ou en magasin avec 5 de réduction

cahier du jour cahier du soir cahiers de vacances livre bd - Jul 06 2023

web cahier du jour cahier du soir maths ce1 jour soir cahiers primaire collectif amazon com tr kitap

cahier du jour cahier du soir maths cp amazon fr - Mar 22 2022

web oct 12 2023 pack cahier du jour cahier du soir ce1 magnard 2014 05 12 maths 6e 11 12 ans annie le goff 2023 cahier  
du jour cahier du soir 6e 1990 01 01 maths

**cahier du jour cahier du soir maths ce1 7 8 ans t uniport edu** - Jan 20 2022

web jul 5 2023 cahier du jour cahier du soir maths ce1 7 8 ans t 1 6 downloaded from uniport edu ng on july 5 2023 by  
guest cahier du jour cahier du soir maths ce1 7 8

*cahier du jour cahier du soir maths ce1 7 8 ans t pdf* - Jul 26 2022

web cahier du jour cahier du soir maths ce1 7 8 ans t when people should go to the ebook stores search launch by shop shelf  
by shelf it is essentially problematic this is why we

*cahier du jour cahier du soir maths ce1 7 8 ans t ruth brown* - May 24 2022

web cahier du jour cahier du soir maths cp tout le programme tous les exercices les corrigés détachables broché 25  
décembre 2002 de bernard séménadisse auteur 5 0

**cahier du jour cahier du soir maths ce1 7 8 ans t pdf** - Aug 27 2022

web 100 14 5k vues 76 pages français ce1 cahier du jour cahier du soir 7 8 ans transféré par yodascribd pour travailler à la  
maison le soir droits d auteur all

cahier du jour cahier du soir maths ce1 7 8 ans t pdf - Nov 17 2021

**cahier du jour cahier du soir maths ce2 8 9 ans amazon fr** - Nov 29 2022

web cahier du jour cahier du soir maths ce1 7 8 ans t 1 cahier du jour cahier du soir maths ce1 7 8 ans t tout en un cm1  
cahier du jour cahier du soir la france

*cahier du jour cahier du soir maths ce1 7 8 ans t uniport edu* - Dec 19 2021

maths ce1 cahier jour soir magnard - May 04 2023

web réviser et s entraîner efficacement tout le programme de maths ce2 nombres et calculs grandeurs et mesures espace et géométrie des leçons synthétiques avec

**maths ce1 cahier jour soir fnac** - Dec 31 2022

web cahier du jour cahier du soir français ce1 7 8 ans tout le programme tous les exercices les corrigés détachables séménadisse bernard amazon fr livres

*cahier du jour cahier du soir maths ce1 7 8 ans t 2022* - Sep 27 2022

web oct 22 2023 maths ce1 7 8 ans michel wormser 2023 cahier du jour cahier du soir collectif 2002 cahier du jour cahier du soir magnard 2010 une structure simple et

**maths ce1 cahier du jour cahier du soir amazon fr** - Apr 03 2023

web cahiers du jour soir mathématiques ce1 par collectif aux éditions magnard le cahier le plus complet pour faire le lien entre l école et la maison une structure simple

*dodge grand caravan 2009 quick reference manual* - Jul 16 2023

web view the manual for the dodge grand caravan 2009 here for free this manual comes under the category cars and has been rated by 1 people with an average of a 7 2 this

**2009 dodge grand caravan owner s manual** - May 14 2023

web nov 4 2014 2009 dodge grand caravan owner s manual 535 pages posted on 4 nov 2014 by sheppo model 2009 dodge grand caravan file size 19 mb download

2009 dodge grand caravan owner s manual 535 pages - Mar 12 2023

web download manual 2009 dodge grand caravan owner s manual posted on 15 apr 2015 model 2009 dodge grand caravan pages 535 file size 19 mb download manual

*2009 dodge grand caravan just give me the damn manual* - Jan 30 2022

the owner s manual for dodge owners powered by mopar - Nov 08 2022

web view print and download for free dodge grand caravan 2009 5 g owners manual 535 pages pdf size 18 61 mb search in dodge grand caravan 2009 5 g

**dodge 2009 caravan owner s manual pdf** - Apr 13 2023

web automobile dodge grand caravan owner s manual 2012 643 pages automobile dodge grand caravan owner s manual 2011 562 pages automobile dodge grand caravan

dodge caravan 2009 owner s manual pdf - Oct 19 2023

web mobile two way radios and telephone only fully shielded coaxial cable page 534 chrysler llc 81 226 0919 first edition

printed in u s a view and download dodge caravan

*dodge grand caravan 2009 5 g owners manual 535* - Aug 05 2022

web 2009 volkswagen tiguan owner s manual view 2009 honda civic sedan owner s manual view 2009 volkswagen passat

owner s manual view download the 2009 dodge

**2009 dodge grand caravan owner s manual** - Aug 17 2023

web jul 3 2019 next 2009 dodge durango owner s manual online view 2009 dodge grand caravan owner s manual owner s manuals free download pdf file of the 2009

**2009 dodge caravan owner s manual pdf manual directory** - May 02 2022

web 2009 dodge grand caravan owner s manual view fullscreen owners manual file attachment 2009 dodge grand caravan 19 mb report content issue your email

**dodge grand caravan 2009 owner s manual pdf for free** - Oct 07 2022

web you can find 15 different owner s manuals for the dodge grand caravan on this page that are in the pdf format looking for mechanical information an owner s manual is

**dodge grand caravan owner s manual manual directory** - Jul 04 2022

web this 2009 dodge grand caravan owners manual ca019113 provides detailed instructions and illustrations on how to repair and maintain your vehicle it contains the

**download manual 2009 dodge grand caravan owner s manual** - Dec 09 2022

web all manuals for dodge cars more manuals of cars frequently asked questions about dodge grand caravan 2009 our support team searches for useful product information

*2009 dodge grand caravan owners manual ca019113* - Apr 01 2022

web recent searches in dodge manuals esp dodge avenger 2014 2 g owner s manual key dodge ram 1500 1998 2 g manual online warning dodge sprinter

*2009 dodge grand caravan owner s manual pdf 535 pages* - Sep 18 2023

web 2009 dodge grand caravan owner s manual posted on 15 apr 2015 model 2009 dodge grand caravan pages 535 file size 19 mb download manual online viewer 1 2 3 4 5

**2009 dodge grand caravan owners manual** - Feb 28 2022

web user guide read online or download pdf dodge 2009 caravan user manual dodge cars manuals directory manualsdirect.com online owner manuals library search

*dodge 2009 caravan user manual 535 pages also for 2009* - Nov 27 2021

[2009 dodge grand caravan owners manual](#) - Jan 10 2023

web download and view your free pdf file of the 2009 dodge grand caravan owner manual on our comprehensive online database of automotive owners manuals

**dodge grand caravan 2009 manuals manualhq com** - Jun 03 2022

web aug 2 2021 2009 dodge grand caravan owners manual and price 2009 dodge grand caravan model and price the 2009 dodge grand caravan se 23 530 comes with a

**manual dodge grand caravan 2009** - Sep 06 2022

web dodge grand caravan 2009 manuals manualhq home dodge dodge grand caravan dodge grand caravan 2009 about brand dodge model grand caravan

[user manual dodge grand caravan 2009 english 535 pages](#) - Jun 15 2023

web home dodge manuals dodge manuals

**dodge grand caravan owner s manual pdf** - Feb 11 2023

web owner s manual owner s manual get to know the full capabilities of your vehicle and how to keep it running strong with your owner s manual sign in today to view your complete

**2009 dodge grand caravan 5 g owner s and service** - Dec 29 2021

[a first book of beethoven 24 arrangements for the beginning](#) - Oct 06 2023

web a first book of beethoven features 24 selections including romance in f turkish march minuet in g and bagatelle in g minor it includes excerpts from the sonatas such as the opening of the 2nd movement of sonata no 14 the adagio from piano sonata no 5 and adagio cantabile from sonata no 8 as well as highlights from

*buy a first book of beethoven 24 arrangements for the* - Apr 19 2022

web dec 29 2006 a first book of beethoven features 24 selections including romance in f turkish march minuet in g and bagatelle in g minor it includes excerpts from the sonatas such as the opening of the 2nd movement of sonata no 14 the adagio from piano sonata no 5 and adagio cantabile from sonata no 8 as well as highlights from the symphonies

**a first book of beethoven 24 arrangements for the beginning** - Jun 21 2022

web arrives by thu aug 31 buy a first book of beethoven 24 arrangements for the beginning pianist with downloadable mp3s paperback at walmart com

**a first book of beethoven favorite pieces in easy piano arrangements** - Jan 29 2023

web specially arranged and simplified these pieces offer beginners the pleasure and satisfaction of playing beethoven students and teachers alike will delight in such popular melodies as fur elise ode to joy and the haunting opening of the

moonlight sonata a first book of beethoven features 24 selections including romance in f

**a first book of beethoven by dover publications ebook scribd** - Aug 04 2023

web a first book of beethoven features 24 selections including romance in f turkish march minuet in g and bagatelle in g minor it includes excerpts from the sonatas such as the opening of the 2nd movement of sonata no 14 the adagio from piano sonata no 5 and adagio cantabile from sonata no 8 as well as highlights from

*a first book of beethoven sheetmusiclibrary website* - Feb 27 2023

web a first book of beethoven features 24 selections including romance in f turkish march minuet in g and bagatelle in g minor it includes excerpts from the sonatas such as the opening of the 2nd movement of sonata n o 14 the adagio from piano sonata no 5 and adagio cantabile from sonata no 8 as well as highlights

**a first book of beethoven for the beginning pianist with** - Sep 24 2022

web a first book of beethoven features 24 selections including romance in f turkish march minuet in g and bagatelle in g minor it includes excerpts from the sonatas such as the opening of the 2nd movement of sonata no 14 the adagio from piano sonata no 5 and adagio cantabile from sonata no 8 as well as highlights from

a first book of beethoven 24 arrangements for the beginning - Aug 24 2022

web a first book of beethoven 24 arrangements for the beginning pianist with downloadable mp3s paperback books amazon ca

a first book of beethoven 24 arrangements for the beginning - Oct 26 2022

web book paperback dover classical music for keyboard david dutkanicz free shipping shop for more classical books on goodwillbooks com a first book of beethoven 24 arrangements for the beginning pianist with downloadable mp3s

**a first book of beethoven 24 arrangements for the beginning** - May 21 2022

web a first book of beethoven 24 arrangements for the beginning pianist with downloadable mp3s dover music for piano by unknown 2006 12 29 on amazon com au free shipping on eligible orders a first book of beethoven 24 arrangements for the beginning pianist with downloadable mp3s dover music for piano by unknown 2006

*a first book of classical music 29 themes by beethoven* - Feb 15 2022

web a first book of classical music 29 themes by beethoven mozart chopin and bergerac google books these fun to play pedagogically sound piano arrangements include themes from

*a first book of beethoven 24 arrangements for the beginning* - Sep 05 2023

web specially arranged and simplified these pieces offer beginners the pleasure and satisfaction of playing beethoven students and teachers alike will delight in such popular melodies as für elise ode to joy and the haunting opening of the moonlight sonata a first book of beethoven features 24 selections including

*a first book of beethoven favorite pieces in easy piano arrangements* - Dec 28 2022

web a first book of beethoven features 24 selections including romance in f turkish march minuet in g and bagatelle in g minor it includes excerpts from the sonatas such as the opening of the 2nd movement of sonata no 14 the adagio from piano sonata no 5 and adagio cantabile from sonata no 8 as well as

*pdf a first book of beethoven by david dutkanicz perlego* - Nov 26 2022

web a first book of beethoven edition unavailable dover publications retrieved from perlego com book 1443880 a first book of beethoven 24 arrangements for the beginning pianist with downloadable mp3s pdf original work published 2013

[a first book of beethoven 24 arrangements for the beginning](#) - Mar 31 2023

web feb 6 2018 specially arranged and simplified these pieces offer beginners the pleasure and satisfaction of playing beethoven students and teachers alike will delight in such popular melodies as für elise ode to joy and the haunting opening of the moonlight sonata a first book of beethoven features 24 selections including romance in f

[a first book of beethoven 24 arrangements for the beginning](#) - Jul 03 2023

web specially arranged as well as simplified these pieces provide novices the pleasure as well as fulfillment of playing beethoven trainees as well as instructors alike will enjoy su

*a first book of beethoven favorite pieces in easy piano arrangements* - May 01 2023

web 24 selections specially arranged and simplified these pieces offer beginners the pleasure and satisfaction of playing beethoven students and teachers alike will delight in such popular melodies as für elise ode to joy romance in f turkish march minuet in g and bagatelle in g minor it includes excerpts from the sonatas such

[beethoven s first composition classic fm](#) - Mar 19 2022

web 5 beethoven s first composition there s some speculation about when the young composer started setting his ideas on paper but the only piece to date from as early as 1782 is a set of nine variations for piano beethoven set himself apart as a musical maverick even at the age of 12 the music is in c minor which is unusual for music of

**a first book of beethoven 24 arrangements for the beginning alibris** - Jul 23 2022

web buy a first book of beethoven 24 arrangements for the beginning pianist with downloadable mp3s by david dutkanicz editor online at alibris we have new and used copies available in 1 editions starting at 3 18 shop now

**a first book of beethoven for the beginning pianist wi** - Jun 02 2023

web jan 1 2006 a first book of beethoven features 24 selections including romance in f turkish march minuet in g and bagatelle in g minor it includes excerpts from the sonatas such as the opening of the 2nd movement of sonata no 14 the adagio from piano sonata no 5 and adagio cantabile from sonata no 8 as well as